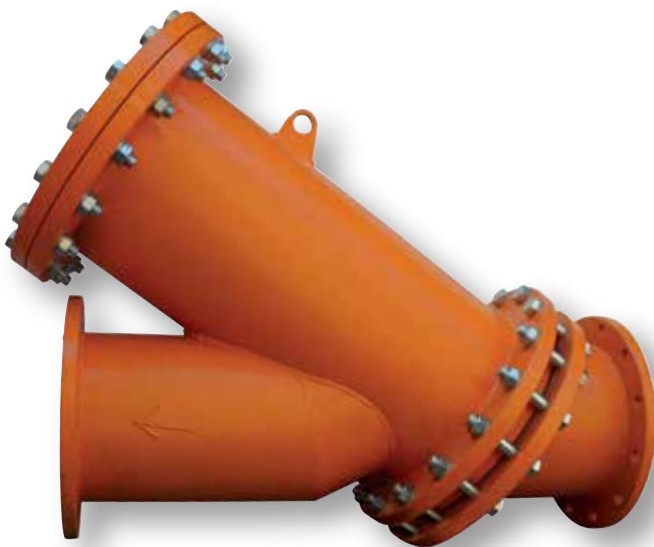




DUAL FREE FLOW SLURRY BALLCHECK VALVE (DFFV)

DUAL's Free Flow Valve operates on the discharge side of the pump as the flow through the pipeline starts or stops, the ball automatically rises or falls, opening and closing the valve. This occurs without noticeable shock or hammer, regardless of the line pressure or the speed of closure.



FEATURES

- Rotating and floating ball - self adjusts to flow.
- Self cleaning due to the freely rotating ball.
- Long ball life due to ball rotation.
- Full port opening. No obstruction to the flow.
- Virtually no pressure drop. Eliminates pipe hammer.
- Long seat life. Seats are out of the flow and can be rotated in line to increase seat life fourfold.
- Easy maintenance. Seat and ball can be inspected or replaced without removing the free flow from the pipeline.
- Virtually maintenance free because of the simple design.

PRODUCT SPECIFICATION

- Valve housing is constructed of high quality carbon steel. Stainless steel is an option.
- Valve housing can be natural rubber lined. A range of elastomer grades is available for corrosive duties (URETHANE or Ceramic).
- Ball is made of hollow carbon steel and is urethane coated. Other elastomers are also available (Stainless Steel for high pressure).
- The seat is made in Abrasion Resistant AR steel (500 Brinnell hardness), URETHANE or Stainless Steel and is replaceable.
- Flanges comply with AS, ANSI, DIN, SABS or BS.
- Working Pressure Standards are 16, 25, 40, 80 and 100 Bar.
- Operating temperature to 80°C. Higher conditions are possible if the valve is constructed from suitable material.
- **The Free Flow Valve can work in the horizontal and vertical position.**
- Flushing ports are fitted to the upper ball body.

MINING APPLICATION (1/2"/300mm - 25 Bar)



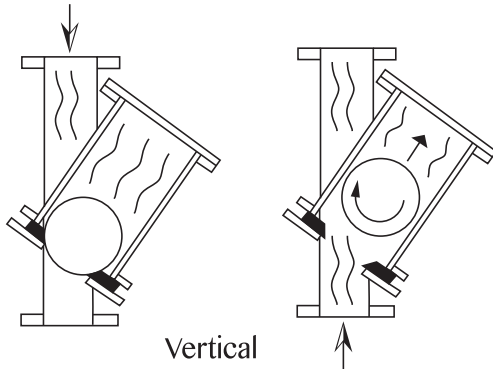
FULLY AUTOMATIC OPERATION

CLOSED, OR REFLUX POSITION

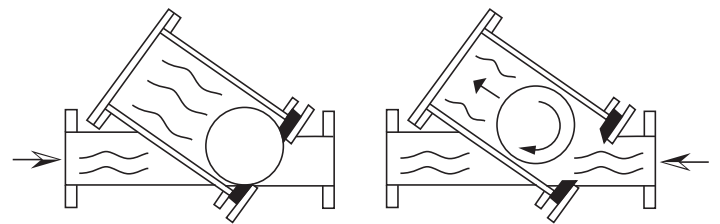
When installed the ball falls automatically into a closed position. This is possible both in horizontal and vertical pipes.

START UP AND CLEANING OF THE BALL CHAMBER

As the pressure on the upstream side of the valve exceeds that below the valve, the ball rises and starts to turn, cleaning the ball body.



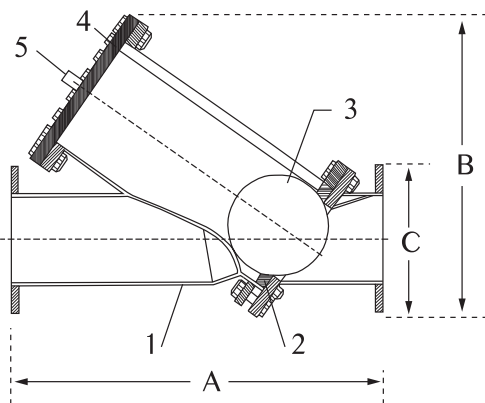
Vertical



Horizontal



DIMENSIONS AND SPECIFICATIONS



VALVE SIZE (mm)	A	B	C	WEIGHT (kg)
80	500	300	200	80
100	640	400	235	120
150	780	440	300	200
200	930	560	350	250
250	1070	720	423	370
300	1120	930	485	440
350	1460	930	555	500
400	1680	1150	597	950
450	1680	2000	635	980
500	1680	2000	698	1200
600	1880	2500	698	1500

Dimensions and weights are for guidance only - detailed dimension drawings available on request. All dimensions are in millimeters, unless stated.

APPLICATIONS

- Mining and mineral processing
- Power generation
- Sand and gravel
- Chemical and soda ash
- Pulp and paper
- Environmental and Effluent

	PART	DESCRIPTION
1	Body	Carbon Steel / Stainless Steel
2	Body Seat (Replaceable)	Abrasion Resistant AR Steel, S.S. or Urethane
3	Ball (Replaceable)	Solid S.S. or Steel w/Urethane or Viton Coating
4	Cover Plate	Carbon Steel / Stainless Steel
5	Flushing Port	Carbon Steel / Stainless Steel



CORPORATE HEADQUARTERS:
166 ROTTERDAM ROAD
(CNR ROTTERDAM ROAD & ANTWERP STREET)
APEX, BENONI, GAUTENG, SOUTH AFRICA



PRODUCTS INTL. (SA) c.c.

www.dualvalves.com

PO BOX 12520, BENORYN 1504
TEL: +27 11 422 4326/7
FAX: +27 11 421 7842
email:sales@dualvalves.com



Built to Last