

Do you have these issues?

- Pinch valve sleeve flapping (a vacuum breaker after the valve is required)
- Poor control – large flow variations with small increments of stroke/opening
- Catastrophic failure of open frame pinch valves
- Difficult fail closure action on pinch vlvs
- Pinch valve on a gradient line (the free floating actuator strains the valve guides)
- Reduced sleeve or valve life
- Shuddering on pinch valve guide bars
- Backlash on a rotary valve (Butterfly)
- Poor control range (small area of linearity)
- Oversized valve
- Sleeve or disc wears out quickly when not sized correctly or has large turndown
- Vulnerable to wear at low flow rates

Then eDART inline dart valves will benefit you. eDART offers an inline slurry control valve with compact design and fine control due to the use of a plug and seat.

Features

- Compact design
- Fine control
- Linear characteristic
- Flow-Over the plug (important to reduce wear)
- Bellows sealing arrangement on shaft
- Piston pneumatic actuator with double O-Ring seal
- Removable bonnet for easy maintenance; valve body remains in the process line
- Anti-Rotation Device
- Stroke Indication

Standard Sizes

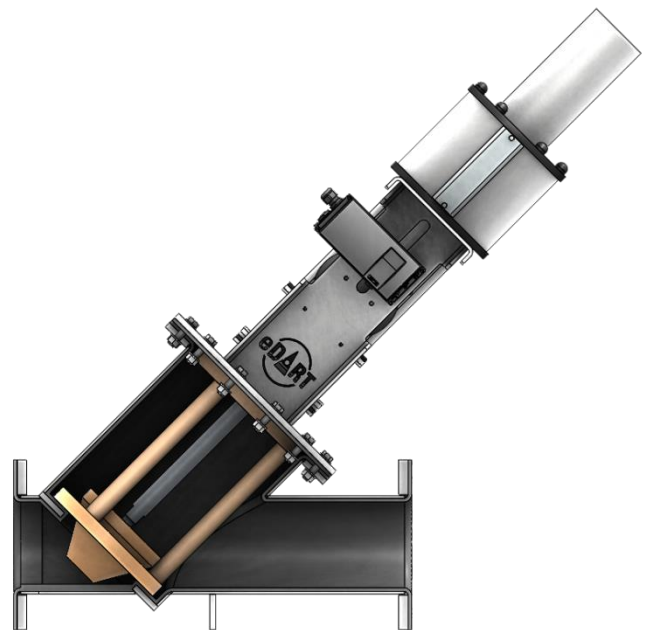
- 100 mm to 400 mm

Material of Construction

- Mild steel body (rubber lined and painted)
- Rubber lining – natural rubber
- Two coat phenoline painted body as standard
- StSt valve shaft and positioner mounting
- Polyurethane coated plug
- Polyurethane seat

Applications

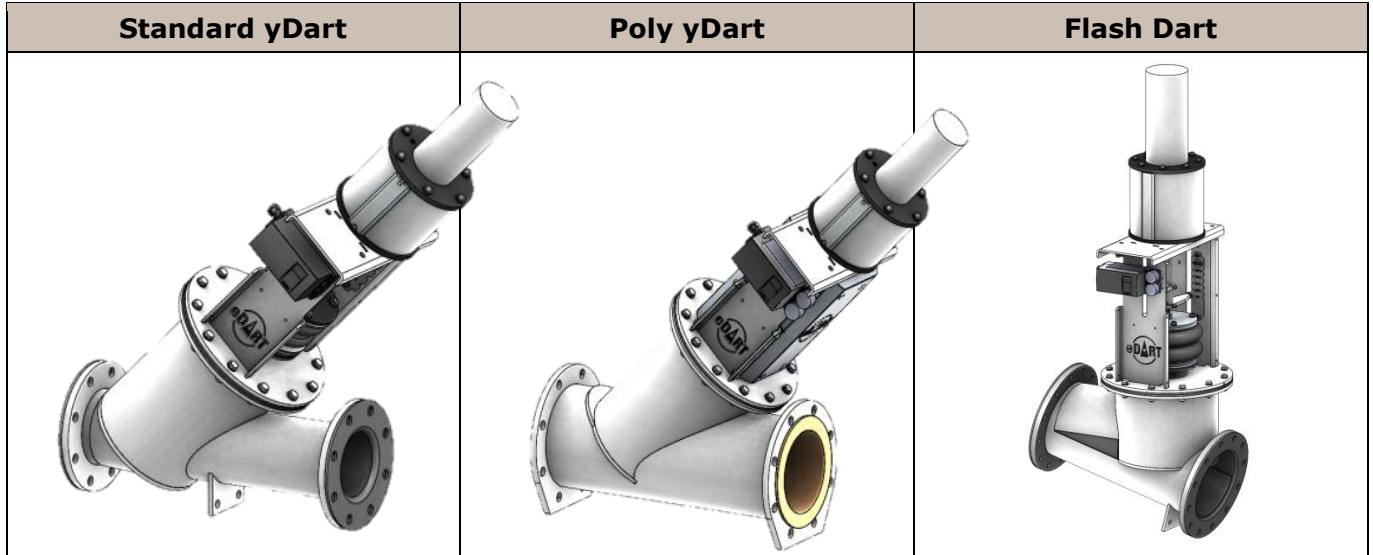
- Flotation Machine level control
- In line slurry control valve



Options

- Various flange and drilling options
- Reduced or full bore options
- Tungsten-Carbide option on valve shaft
- Smart (HART, Profibus), Electro-Pneumatic (4-20mA), Pneumatic (20-100kPa) Positioner
- Bias Spring Fail Closed, Fail Fixed or Double Acting Actuator Options

Variations



Technical Data

Size	CV _{max}
100	176
150	429
200	840
250	1,400
300	1,830
350	2,650
400	3,320
450	4,310
500	5,060
600	6,950

Benefits

Large Actuators	Engineered Feedback	Seat Cage
<p>The actuators are sized to provide stiff modulating capability, sufficient stroke and good resolution to improve control and stability.</p>	<p>The mechanical linkages are designed to provide accurate linear response and may be replaced with an internal electrical transducer within the actuator when size demands.</p>	<p>The replaceable cage guides the plug head where it matters and does away with troubles of slurry filled and sticky shafts guide blocks</p>