



eDART Single external Dart Valve

eDART is the manufacturer of the external single eDART valve. The valve is optimised for fine control of slurry flow from one flotation machine to the next. The single eDART has a customisable body and flange orientations to suit any plant.

Material of Construction

- Plug and seat – polyurethane or other appropriate wear resistant material (e.g. UHMWPE).
- Patented bellows seal – non-sliding sealing arrangement
- Body – rubber lined mild steel
- eDART actuators

Standard Sizes

- 100mm to 1000mm

Options

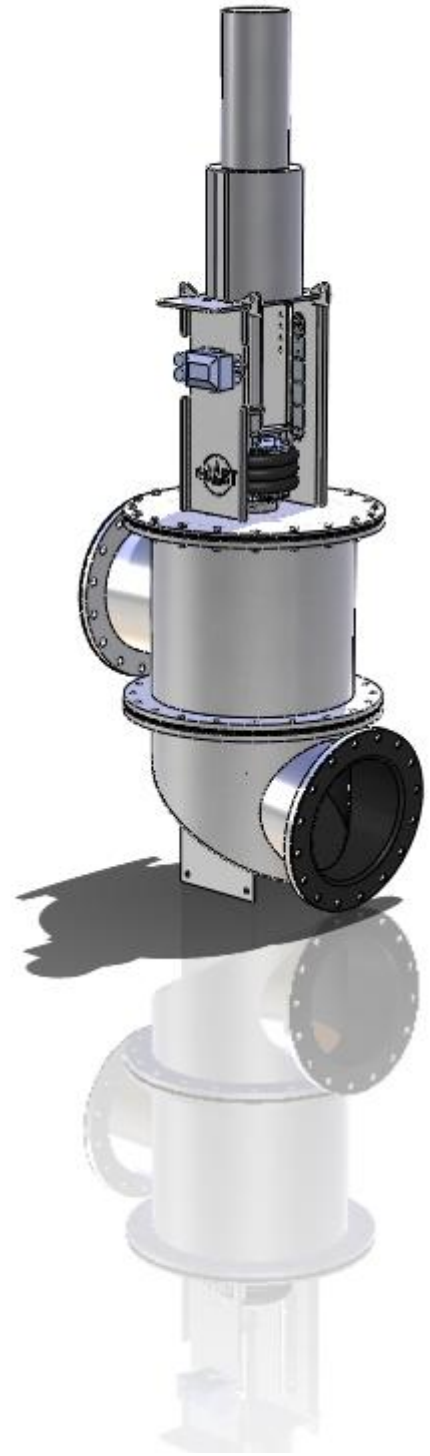
- The bottom port can be orientated at any discrete angle (determined by the number of bolts) by rotating it on the flange
- Full or reduced bore for the plug and seat
- Smart (HART, Profibus), Electro-Pneumatic (4-20mA) or Pneumatic (20-100kPa) Positioner choices
- Bias Spring Fail Closed, Fail Fixed or Double Acting Actuator Options

Features

- Body fully customised to plant layout
- Valve can be fully serviced in situ
- Simple maintenance: All internal wearing parts can be inspected and/or replaced without removing the valve body from the process line
- Anti-Rotation Device
- Stroke Indication

Applications

- Due to the valves flexible orientation, it is ideal for plant retrofits
- Flotation level control



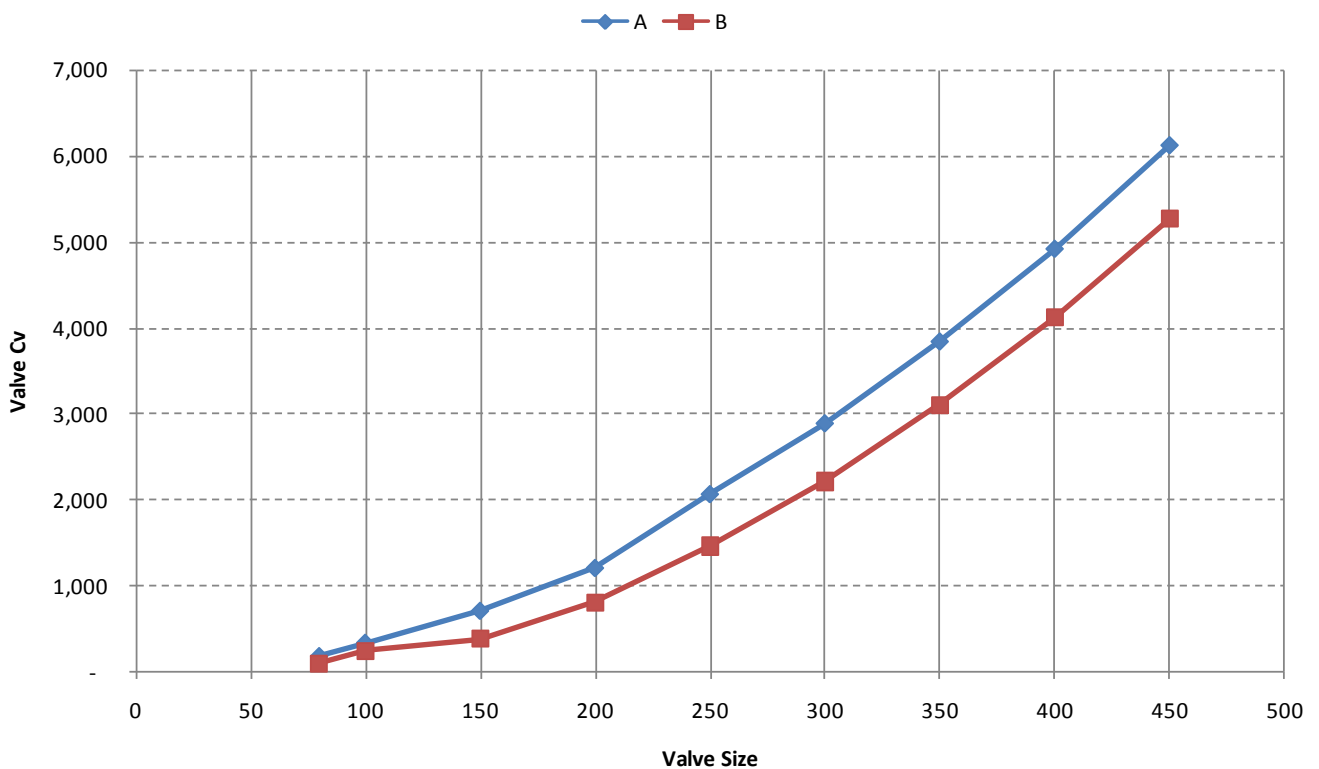
Australian agent:
DUAL Valves Australasia Pty Ltd
Tel: (08) 9302 2601
Email: sales@dualvalves.com.au



eDART Single external Dart Valve

Valve Cv

Valve Size	Full Bore ("A")	Reduced Bore ("B")
80	179	92
100	334	234
150	706	374
200	1,204	802
250	2,063	1,457
300	2,887	2,209
350	3,838	3,097
400	4,916	4,116
450	6,120	5,264



Australian agent:
 DUAL Valves Australasia Pty Ltd
 Tel: (08) 9302 2601
 Email: sales@dualvalves.com.au