

eDART offers an in-line slurry control valve with compact design and fine control due to the use of a plug and seat. The plug shape has been verified using Computational Fluid Dynamics (CFD) software.

## Material of Construction

- Mild steel body (rubber lined and painted)
- Rubber lining – natural rubber
- Two coat carboline epoxy painted body as standard
- StSt valve shaft and positioner mounting
- Polyurethane or UHMWPE plug
- Linhard or polyurethane seat

## Standard Sizes

- 100mm to 500mm

## Options

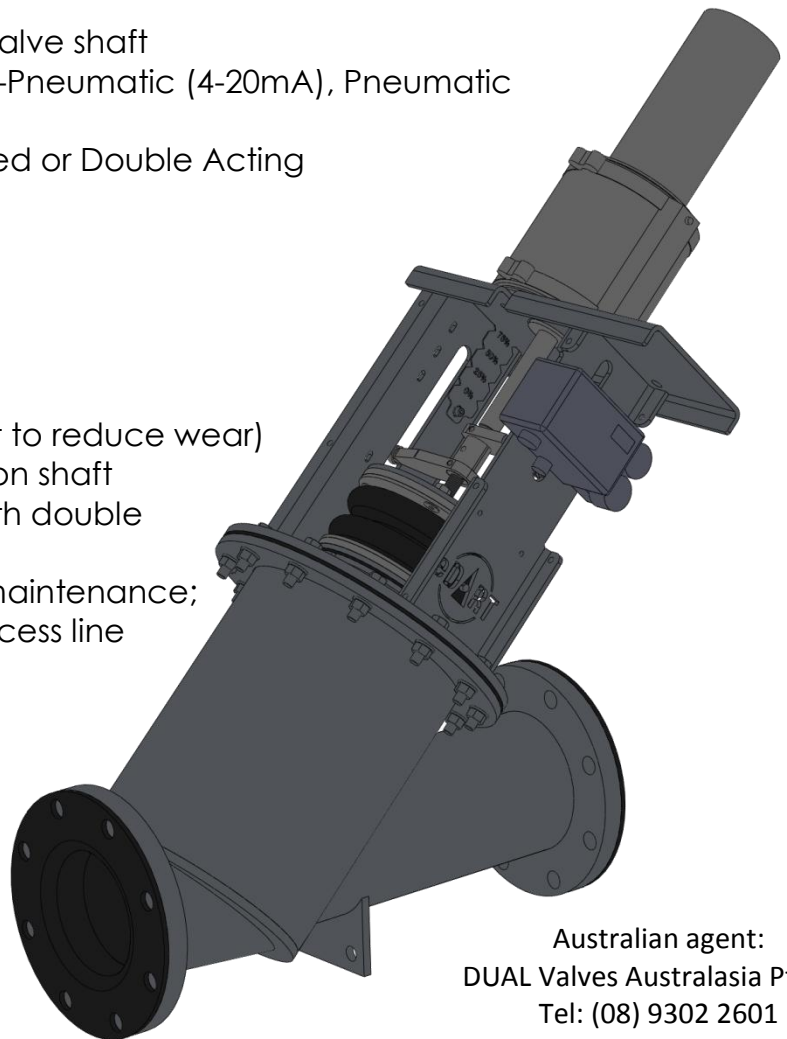
- Various flange and drilling options
- Reduced or full bore options
- Tungsten-Carbide option on valve shaft
- Smart (HART, Profibus), Electro-Pneumatic (4-20mA), Pneumatic (20-100kPa) Positioner
- Bias Spring Fail Closed, Fail Fixed or Double Acting Actuator Options

## Features

- Compact design
- Fine control
- Linear characteristic
- Flow-Over the plug (important to reduce wear)
- Bellows sealing arrangement on shaft
- Piston pneumatic actuator with double O-Ring seal
- Removable bonnet for easy maintenance; valve body remains in the process line
- Anti-Rotation Device
- Stroke Indication

## Applications

- Flotation Machine level control
- In line slurry control valve



Australian agent:  
 DUAL Valves Australasia Pty Ltd  
 Tel: (08) 9302 2601  
 Email: sales@dualvalves.com.au