

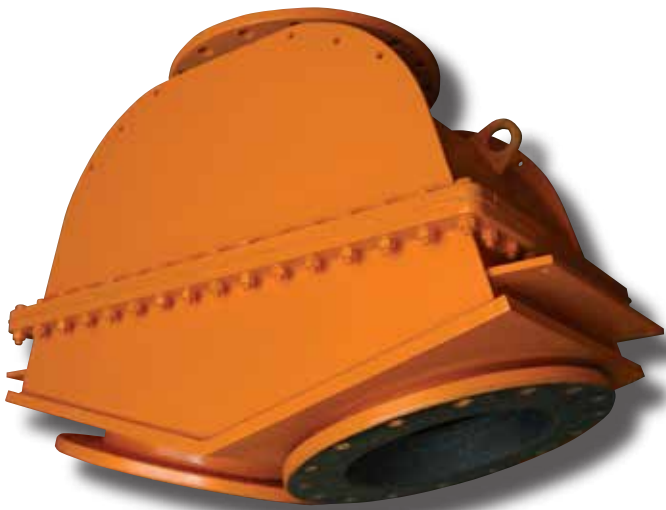


DUAL DOUBLE NON-RETURN VALVE (DDNRV)

DUAL's Double Non-Return valve operates on the discharge side of two pumps in parallel. Both pumps can run simultaneously or independently. When one pump is switched off, the ball will automatically drop back stopping the back flow to the other pump.

PRODUCT SPECIFICATION

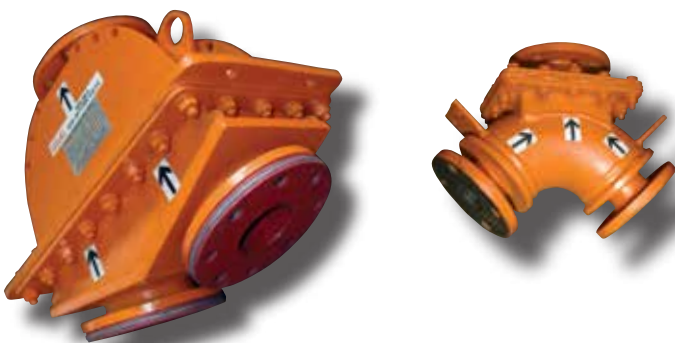
- BODY:** Carbon steel (fabricated).
The valve body can be lined in natural black, neoprene, hypalon, E.P.D.M rubber, ceramic or urethane.
- SEATS:** Natural rubber, Urethane or stainless steel (Replaceable).
- BALL:** Urethane or Rubber (Ball replaceable).
- SIZE RANGE:** Valve body and face-to-face dimension can be changed to suit existing applications.
- PRESSURE RATING:** 10, 16, 25, 40 and 60 Bar
- FLANGE CONNECTION:** Shouldered end connections for victaulic couplings if required.
- VALVE INTERNALS:** Valve flanged to customer specification.
Flushing port in ball body.
- OTHER:** Different mounting brackets can be fitted to suit application.



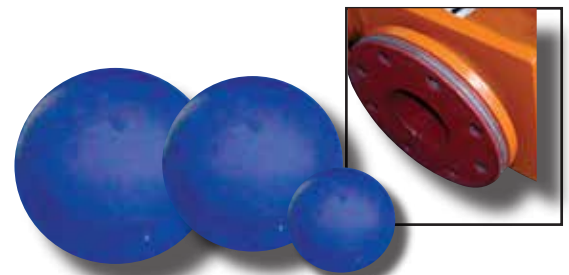
FEATURES

- Flush ports.
- As the elastomer covered ball moves, it rotates with the flow.
- This ensures that the valve self cleans and permits it to open and close reliably even under severe conditions of slurry build up.
- Minimal pressure drop.
- Replaceable ball and seats.

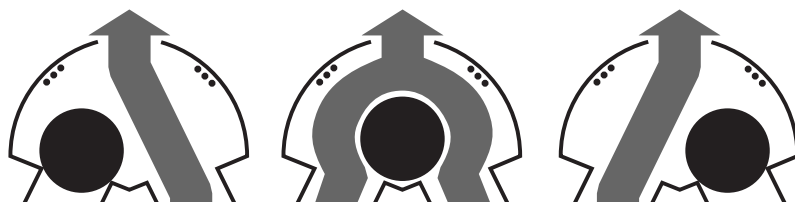
FABRICATED VALVES



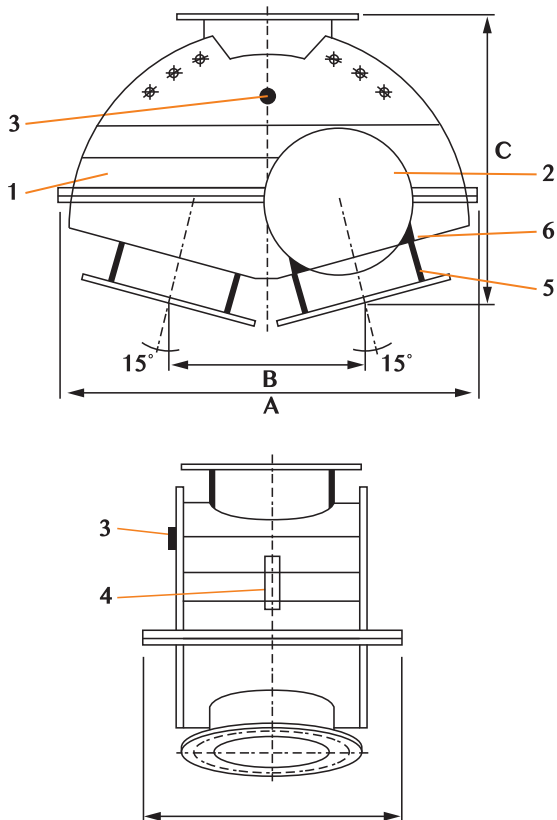
REPLACEABLE BALL AND SEATS



You Can Run Both Pumps Simultaneously or One at a Time.



Flow From Right Pump Flow From Both Pumps Flow From Left Pump



APPLICATIONS

- All slurry applications requiring trouble free pump changeover
- Particularly suited for mill cyclone feed pumps.

	PART	DESCRIPTION
1	Body	Carbon Steel / Stainless Steel
2	Ball	Urethane or Rubber (Replaceable)
3	Flushing Port	Carbon Steel / Stainless Steel
4	Lifting Lugs	Carbon Steel / Stainless Steel
5	Body Lining	*Rubber, Urethane or Ceramic
6	Body Seat	*Rubber, Urethane or Replaceable

Dimensions and weights are for guidance only - detailed dimension drawings available on request. * EPDM, Nitrile, Chlorobutyl or Natural Red

Inches	mm	Inches	mm	Inches	mm	Inches	mm	Inches
2.5	65	17.20	430	11.33	288	9.70	246	11.00
3	80	18.40	460	11.33	288	9.70	246	11.00
4	100	19.80	495	9.60	240	14.20	356	10.30
6	150	25.40	635	12.00	300	17.00	425	13.90
8	200	32.88	822	14.00	350	20.60	517	17.00
10	250	35.30	883	16.60	416	23.00	576	19.
12	300	42.40	1060	19.50	489	27.00	679	
14	350	44.50	1114	21.80	546	29.00	727	
16	400	50.20	1257	24.30	617	33.10	829	
18	450	56.20	1406	26.00	651	37.30	933	
20	500	61.40	1537	28.70	719	40.00	1002	
24	600	72.20	1807	34.40	862	46.70	1168	
30	750	90.00	2286	47.00	1193	54.00	1371.6	