



# DUAL PIVOT WAFER GATE VALVE (DPWGV)

**DUAL**'s Pivot Wafer Gate Valve is built with a steel body and features a heavy-duty stainless steel gate. Removable sleeves on either side of the gate provides a bi-directional bubble tight seal, with no metal parts in contact with the flowing slurry, when open. When the Dual Pivot Wafer Gate Valve closes, the gate valve moves through the Dual Ring Sleeves from the side, eliminating the damage caused to the sleeves by the traditional Knife Gate Blade, pushing from the top.



## FEATURES

- 360 PSI/25 Bar.
- Double Seat design for heavy duty slurry service.
- Ease of replacement of seat liners.
- When open, the gate is fully pivoted out of the slurry flow.
- No metal parts in contact with the flowing slurry.
- Bubble tight shutoff.
- No clogged bonnet to impede flow.
- External epoxy coated.
- Easily adapted to suit most actuators
- Low maintenance requirements.
- Suitable for wet or dry service.
- Bi-directional flow.
- Gate Guard.
- Rotary style movement of the the Gate.
- Face to face equal to Wafer Knife Gate Valve.
- No gland to maintain.

- Wide range of elastomers available.
- Light weight for easier handling.
- No seat cavity where solids can collect and prevent full gate closure.
- Suitable for wet or dry service.
- Flush ports.
- Dual Sleeve isolation.
- Face to face MSS-SP-81.

## PRODUCT SPECIFICATION

- BODY:** Wafer pattern cast SG Iron or fabricated steel, Epoxy coated.
- ELASTOMER SLEEVES:** Gum Rubber (standard), Nitrile, Viton, EPDM, Chlorobutyl, Urethane.
- PRESSURE RATING:** DN50 to DN600 rated to 360 psi (25 Bar).  
DN 650 to DN1500 rated to 150psi (10 Bar).
- GATE MATERIAL:** 316 Stainless Steel standard- 316L, 317L, 17-4PH, Alloy 20, SAF 2205 S/S with optional wear coatings.
- DRILLING PATTERNS:** DN50 to DN1500 drilled and tapped, ANSI B16.5, DIN, SABS & BS, Optional.
- MATERIAL CERTIFICATION:** Certified chemical and physical test reports can be supplied.



## STANDARD FEATURES- VALVE BODY

- Protective bellows.
- Limit switch brackets.
- Open/closed indicator.
- Lubrication ports on both sides of the valve body.
- Splash guard with flush ports.
- Open/closed lockout.
- Adaptable tower design can be field modified to take air cylinder, gearbox or hydraulic actuators.

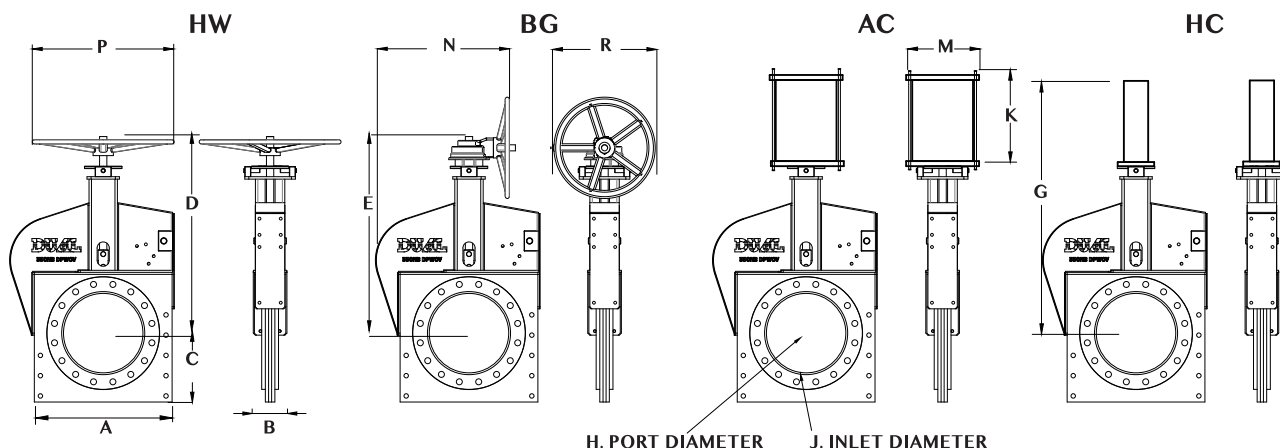
## ACTUATORS

All types of actuators can be fitted, electric, gearbox, hydraulic, pneumatic and handwheel.

## APPLICATIONS

- Mining and mineral processing.
- Power generation.
- Sand and gravel.
- Chemical and soda ash.
- Pulp and paper.
- Environmental and effluent.

## DIMENSIONS AND WEIGHTS



## HOW THE RUBBER SLEEVES WORK

Matching rubber ring sleeves with stiffener ring are placed in the valve housing to seal against the gate when the valve is closed and seal against each other when the valve is open. This tight seal contains the high internal line pressure. Double seated design provides bi-directional flow and shut off.



## ACCESSORIES

- Limit switches.
- PTFE coating of gate.
- Various gate materials optional.
- Gate safety guards.

VALVE SIZE	F/F			HW		BG		AC		H/C		VALVE WEIGHT (kg)							
	A	B	C	D	E	F	G	H	J	K	M	N	PØ	RØ	HW	BG	AC	H/C	
50	285	54	102	487	563	540	560	47	51	191	133.4	384	300	300	20	30	35	30	
80	300	58	124	568	611	627	640	71	76	222	162.3	400	300	300	25	35	40	40	
100	340	58	139	621	639	667	693	97	102	267	175.5	422	300	300	35	45	50	55	
150	405	64	146	748	838	803	825	147	152	320	231.9	449	500	500	40	50	65	60	
200	460	76	179	888	924	939	962	196	203	375	261.9	478	500	500	65	75	90	75	
250	515	76	209	1043	1125	1115	1138	247	254	444	339.9	604	500	500	90	100	150	100	
300	565	83	248	1207	1207	1273	1290	299	304	518	341.6	740	600	600	170	180	230	150	
350	625	83	274	1340	1340	1369	1372	329	337	573	374.7	765	600	600	200	210	300	170	
400	685	96	302	1435	1435	1500	1504	381	387	622	374.7	790	700	700	240	250	340	240	
450	735	96	324	1680	1680	1728	1740	432	440	669	431.8	790	700	700	260	270	390	285	
500	790	121	368	1823	1823	1878	1882	483	489	712	479.6	790	700	700	330	340	530	340	
600	900	121	419	2162	2162	2216	2235	589	600	889	479.6	878	700	700	480	490	720	520	
650	1000	125	445	-	-	-	2494	597	624	934	500	-	-	-	-	-	993	773	
750	1100	125	515	-	-	-	2748	679	737	1054	550	-	-	-	-	-	976	976	
900	1235	130	600	-	-	-	3320	810	890	1226	550	-	-	-	-	-	1588	1588	
1000	1350	130	690	-	-	-	3898	972	1044	1435	700	-	-	-	-	-	2359	2359	
1200	1575	160	770	-	-	-	4312	1117	1160	1600	700	-	-	-	-	-	3162	3165	
1400	1700	228	860	-	-	-	4500	1244	1320	1710	700	-	-	-	-	-	3755	3755	
1500	2000	228	980	-	-	-	4780	1455	1525	1850	700	-	-	-	-	-	4000	4500	

Contact Dual Valves for larger sizes. Dimensions are for guidance only - detailed dimension drawings available on request. All dimensions are in millimeters, unless stated.



**TÜVRheinland**  
Precisely Right.  
CORPORATE HEADQUARTERS:  
166 ROTTERDAM ROAD  
(CNR ROTTERDAM ROAD & ANTWERP STREET)  
APEX, BENONI, GAUTENG, SOUTH AFRICA



**PRODUCTS INTL. (SA) c.c.**

[www.dualvalves.com](http://www.dualvalves.com)

PO BOX 12520, BENORYN 1504  
TEL: +27 11 422 4326/7  
FAX: +27 11 421 7842  
email:sales@dualvalves.com



**VAMCOSA**

**Built to Last**