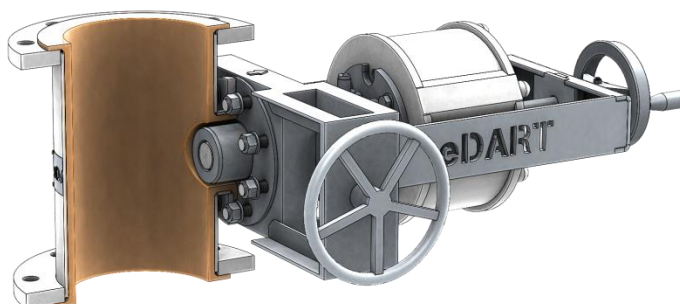


Do you have these sampling issues on your plant?

- Do you want to replace manual sampling on your plant?
- Do you have a densitometer that needs calibrating?
- Do you not have the head room for a full blown cross-cut metallurgical sampler?
- Do you want to trend your process over time?
- Uncertain about quality of sample in a large diameter pipe or if flow is mixed properly in a long horizontal line?
- Difficult shutdowns and not enough time to service the sampler?

Then the eDART sampler will benefit you. There are over 60 eDART samplers being used on just one plant. The eDART Poppet Sampler has been in offered for over 30 years (the right to the product was bought from Mitech early in eDART's history). This sampler has been used in multiple industries throughout the world. The basis of good science is data. With multiple data points, you will be able to tune your processes and give you optimal recovery. Consider the improved financial benefits.



Features

- Eliminates product spillage
- Compact design
- Line Pressure not exposed to atmosphere
- Water flushing if required
- Low and Easy Maintenance
- Locally Manufactured
- Moving parts fully removed from the line in the non-sampling position to extend the sampler life
- Simple and Robust

Standard sizes

- 50 ml
- 125 ml

Variations

Materials of construction

- Body Material – 316 Stainless Steel
- Polyurethane/Viton Disc Seals
- Piston cap tungsten carbide.
- All other components 304 Stainless Steel

Options

- Pneumatic Piston Actuated (double acting or spring return)
- Timed / untimed solenoid valves
- Control boxes for automated sampling

Applications

- Composite sampling
- Daily shift or composite sample
- Grab samplers
- Sampling campaigns

Pressure Rating	Temperature Rating	Actuator
PN8 or PN16	Standard or High	Standard or 316StSt