

## Do you have these issues with your dosing circuit?

- Blockages in the take off line
- 

Then the eDART three-way dosing dart valves will benefit you. Typically, rock lime (alkaline) in a ring main is continuously pumped around the circuit because it tends to settle and separate. Normally a T piece is inserted into the line (called a take-off line) and the flow is controlled with a standard valve such as a knife or butterfly. When the valve is closed the line is filled up with the stagnant lime and blocks. The dosing valve eliminates this by being located directly in the ring main. As the valve opens the vertical take-off line fills up. When closed, the line drains under gravity and does not leaving a pocket of pipe that can solidify.

### Features

- Self-flushing
- Compact design
- Removable bonnet for easy maintenance; valve body remains in the process line
- Anti-Rotation device
- Stroke indication

### Standard mainline pipe sizes

- 50 mm to 400 mm

### Materials of construction

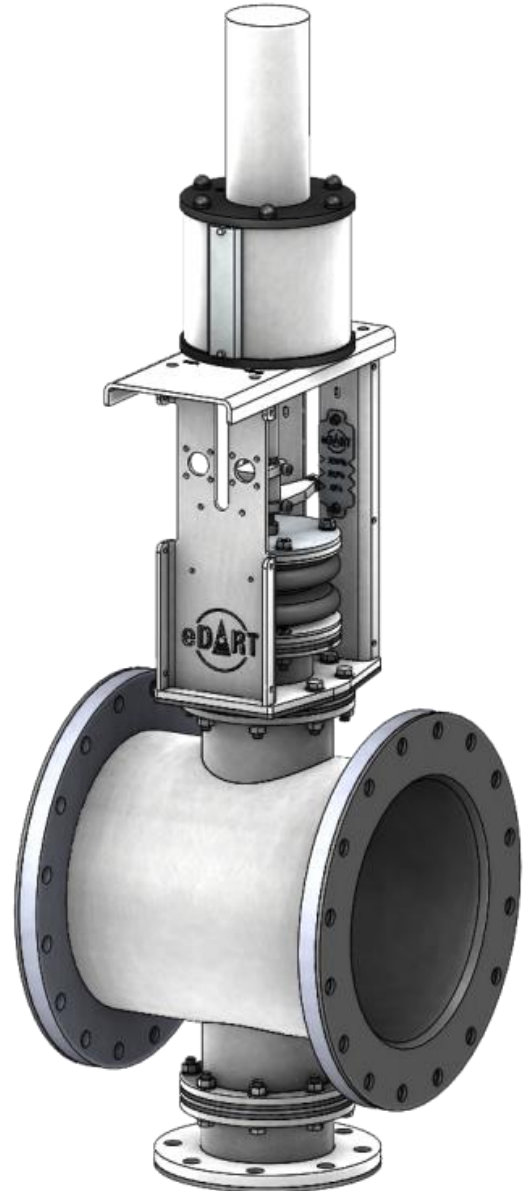
- Mild steel body
- Lining
  - rubber
  - Ceramics
  - Polyurethane
- Two coat phenoline painted body
- StSt valve shaft and positioner mounting
- Polyurethane coated plug and seat

### Options

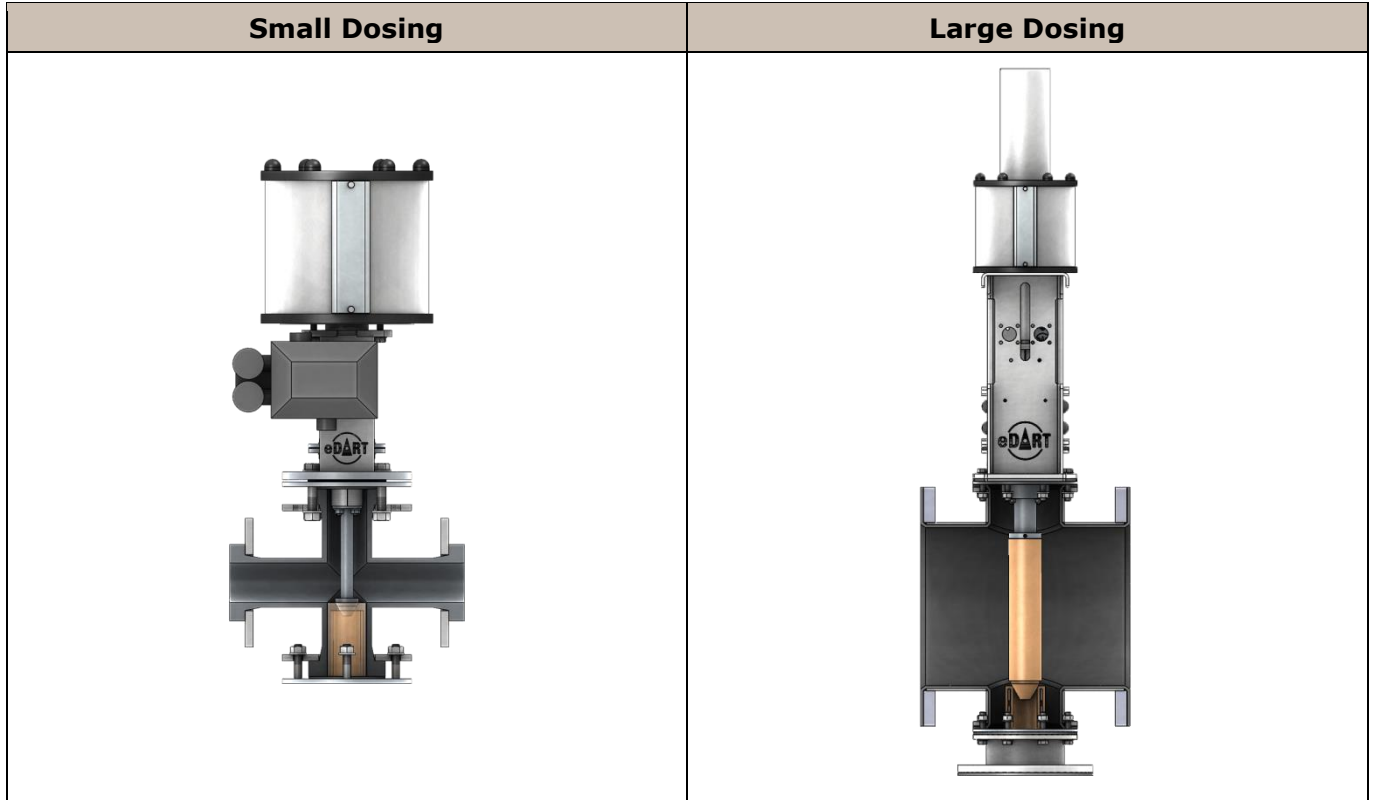
- Control on or off
- Various flange and drilling options
- Smart (HART, Profibus), electro-pneumatic (4-20mA), pneumatic (20-100kPa) positioner
- Bias spring fail closed, fail fixed or double acting actuator options

### Applications

- Rock-lime dosing
- PH control



**Variations**



**Technical Data**

Size	CV <sub>max</sub>
100	176
150	429
200	840
250	1,400
300	1,830
350	2,650
400	3,320
450	4,310
500	5,060
600	6,950

**Benefits**

Large Actuators	Engineered Feedback	Seat Cage
The actuators are sized to provide stiff modulating capability, sufficient stroke and	The mechanical linkages are designed to provide accurate linear response and may be	The replaceable cage guides the plug head where it matters and does away with troubles of



good resolution to improve control and stability.	replaced with an internal electrical transducer within the actuator when size demands.	slurry filled and sticky shafts guide blocks
---	--	--